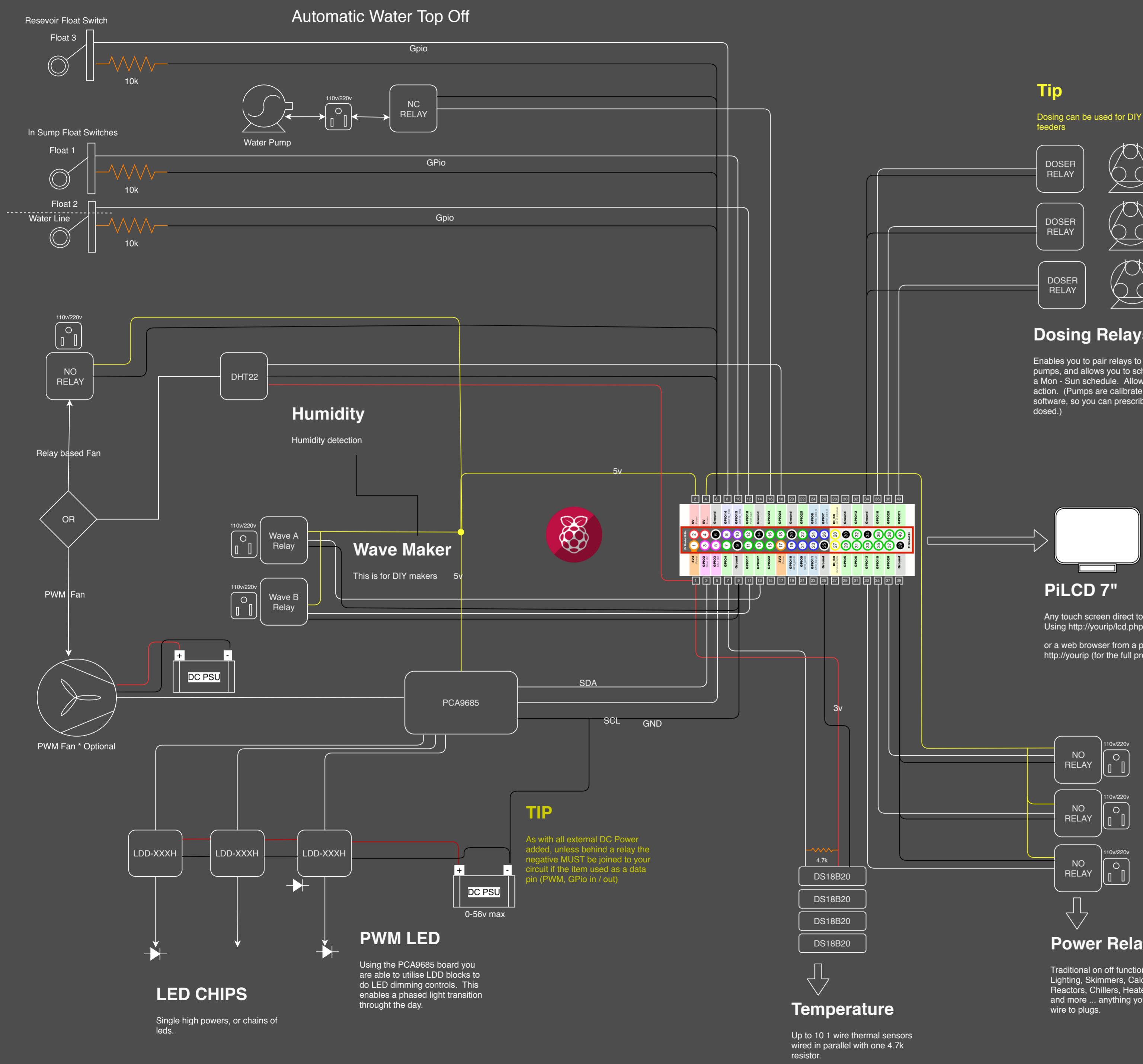
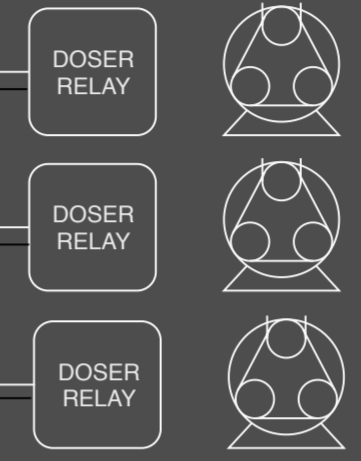


WIRING MAP

FEATURES

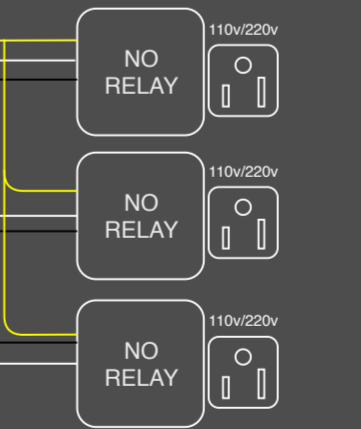


Tip
Dosing can be used for DIY feeders



Dosing Relays
Enables you to pair relays to peristaltic pumps, and allows you to schedule them on a Mon - Sun schedule. Allow precision ml action. (Pumps are calibrated "able" by the software, so you can prescribe how much is dosed.)

PiLCD 7"
Any touch screen direct to the pi. Using <http://yourip/lcd.php> or a web browser from a pc using <http://yourip> (for the full product)



Power Relays
Traditional on off functions, for Lighting, Skimmers, Calcium Reactors, Chillers, Heaters, Fans and more ... anything you can wire to plugs.

Temperature
Up to 10 1 wire thermal sensors wired in parallel with one 4.7k resistor.

TIP
As with all external DC Power added, unless behind a relay the negative MUST be joined to your circuit if the item used as a data pin (PWM, GPIO in / out)

Relay Timing

Sunrise
Morning
Daytime
Afternoon
Sunset
Night
Nolight

Relay components can be controlled in automatic or manual mode. Automatic will go according your managed time periods, you are able to specify the times of the periods, for example Sunrise can be 6am to 10am and Morning would start on 10:01 and so on. Relays set to manual I will appear as buttons on web interface or external LCD and will not follow / listen to the periods.

Web Interface
A full web interface has been developed to represent all of these options, the web interface allows you to configure all your respective options.

Dosing Schedule Interface
With dosing you care able to control your peristaltic pumps against a scheduler, that allows you to express x amount of ml per dose per day. I have built in a full calibrator, considering that pumps and tubes of all lengths can do different things, so you are able to calibrate your pump type for use.

- Many more features**
1. Monitor Water & Air Temperature
 2. Jayfish v5 can handle as many relays to control power as you have available pins or channels.
 3. Chemical Test Management Logging your tests with graphs to show change. Including graphs of changes and quick logging.
 4. Filter Maintenance (with expiry widgets)
 5. Water Change Counter / Since (Days)
 6. Species Data base with categories & health monitoring.
 7. Celcius & Farenheit Support.
 8. Water Temperature Threshold (Kicks in Fan or Chiller) - Temperature includes full graphs.
 9. GPIO setup within Web Interface that helps you avoid conflicts or duplication.
 10. Touch Screen support based on the official Raspberry Pi Screen.
 11. Wave Maker - Provides for up to two pumps - You can control pulse and rest periods. Yes this means you can turn standard pumps into wave-makers. I recommend using circulations pumps.
 12. ATO Automatic Top Off System (Gravity or Pump based)
 13. DOSING 🌈 YES a full week schedule that is able to repeat weekly.
 14. LDD Pulse Width Modulated Light control
 15. DHT22 Moisture detection / fan trigger mechanism
 16. And more

